



**INVOTECH**  
**YH/YSH Series Scroll Compressors**  
**Special Design For**  
**A/C and Chiller**  
**50Hz**





## **Suzhou Invotech Scroll Technologies Co., Ltd.**

is a high-tech company.

Our company is founded by a group of engineers who formerly worked for the world's largest manufacturer of scroll compressors. We are a team of passionate and highly qualified professionals with more than 15 years of experience in this industry. Our company's products in addition to impressive sales performance in the domestic market, also sales to Asia, Africa, Europe, South America, North America and other more than 30 countries and regions.

Our company provides specialized scroll compressors and related technical consulting services for heat pump water heaters, refrigeration and air conditioning, chillers and other applications. We are willing to provide our customers with jointly developed or Turn-Key solutions to meet their needs.

Our vision: to become a global first class solution provider by providing innovative products for the climate and energy industries.

For more information please visit:

[www.invotech.cn](http://www.invotech.cn)

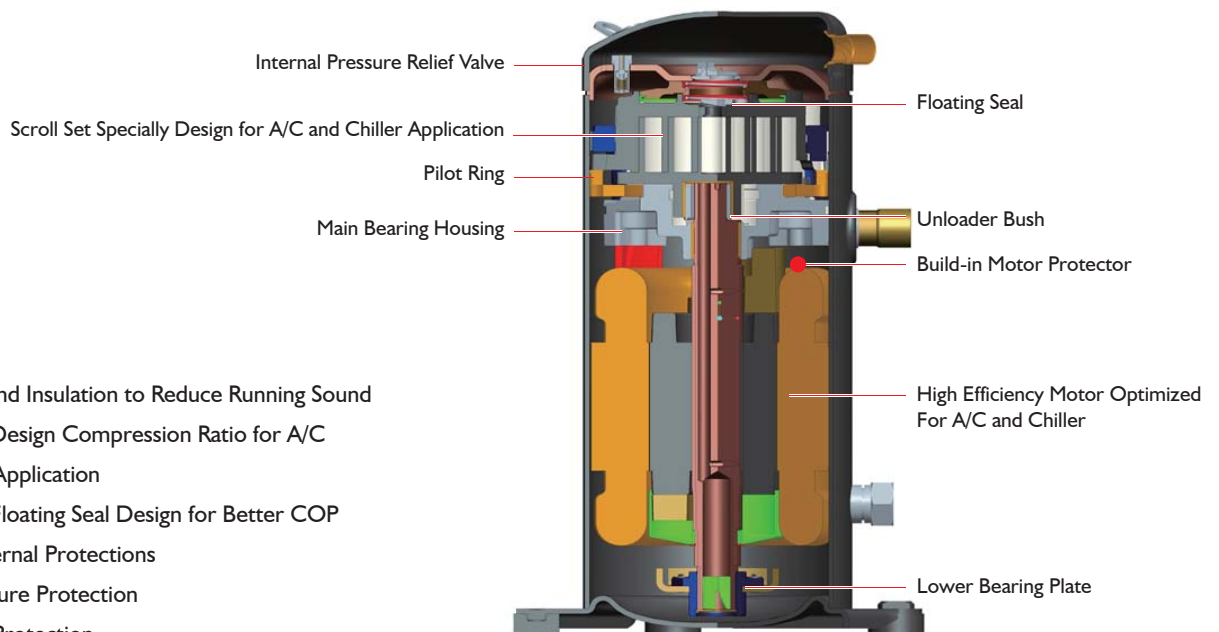


<i>Product Features</i>	1
<i>Models</i>	3
<i>Nomenclature</i>	4
<i>Technical Specifications</i>	
R410A	5
R407C	7
R22	9
<i>Operating Envelope</i>	11
<i>Capacity</i>	
R410A	12
R407C	16
R22	22
<i>Dimensions</i>	27

# YH Series

## Scroll Compressors With Dual-Compliance For A/C and Chiller

- Specific Design For A/C and Chiller, Not Only The Scroll Set But Also The Unit, Precise Product-Definition Based On Customer's Need
- Both Build-in Radius and Axial Compliance Design, Improved Floating Seal Design for Better Energy Efficiency
- Excellent Discharge Temperature Management to Stretch Operation Envelope
- Accurate Calculation of Load and Sealing Force for Running Sound Optimization
- High Efficiency Motor Design



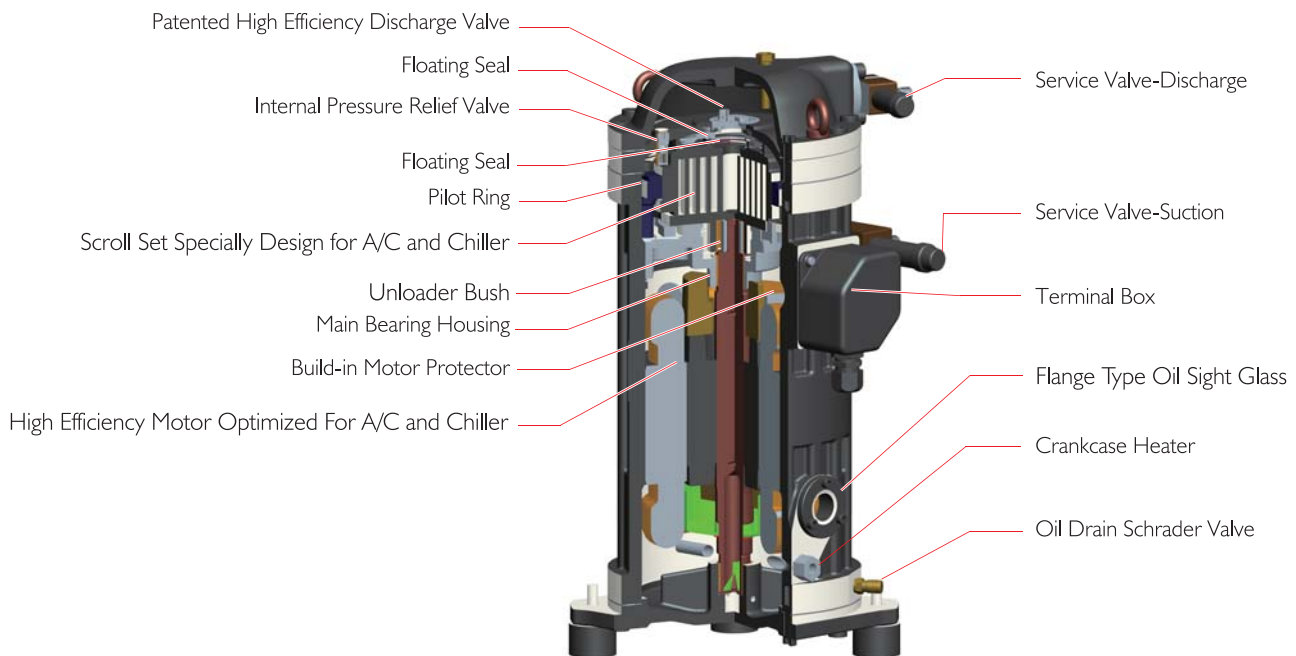
### Features

- Build-in Sound Insulation to Reduce Running Sound
- Optimized Design Compression Ratio for A/C and Chiller Application
- Optimized Floating Seal Design for Better COP
- Multiple Internal Protections
  - High Pressure Protection
  - Overload Protection

# YSH Series

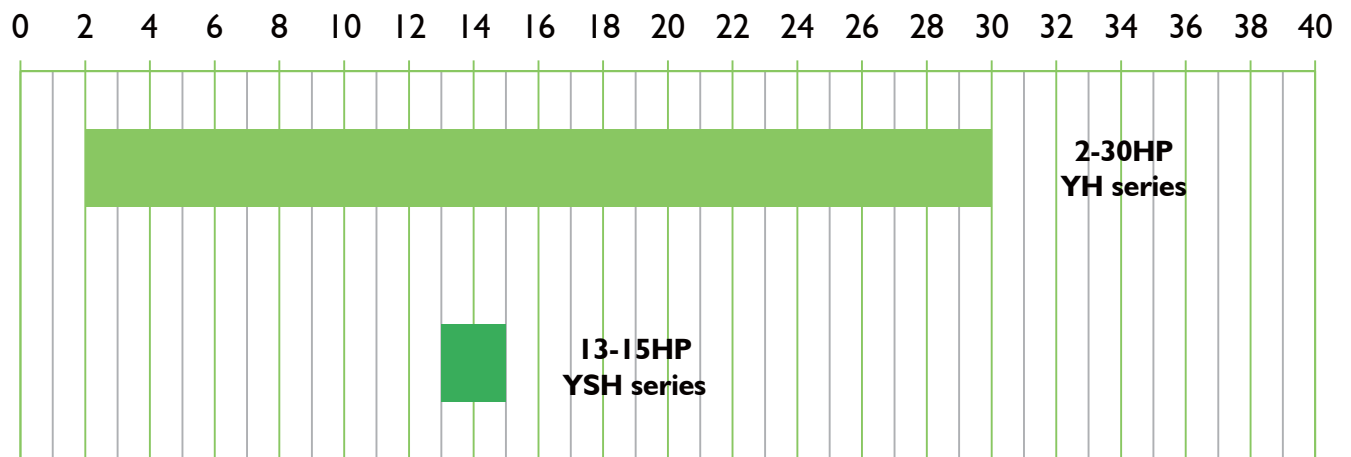
## Semi-Hermetic Scroll Compressors With Dual-Compliance For A/C and Chiller

- Specific Design For A/C and Chiller, Not Only The Scroll Set But Also The Unit, Precise Product-Definition Based On Customer's Need
- Both Build-in Radius and Axial Compliance Design, Improved Floating Seal Design for Better Energy Efficiency
- Excellent Discharge Temperature Management to Stretch Operation Envelope
- Accurate Calculation of Load and Sealing Force for Running Sound Optimization
- High Efficiency Motor Design
- Repairable



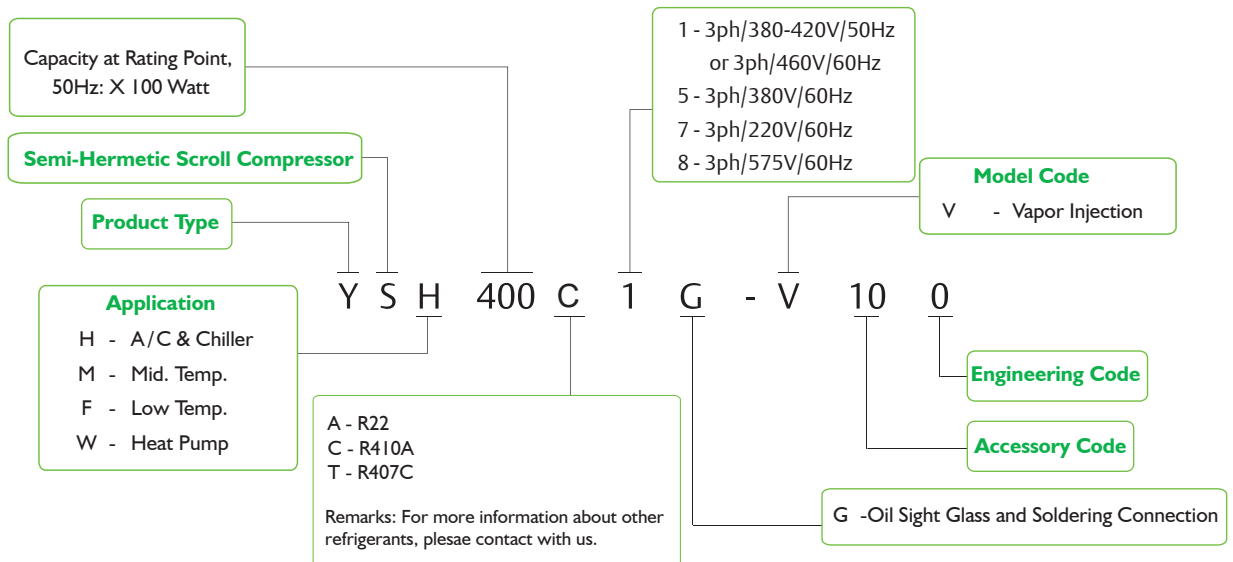
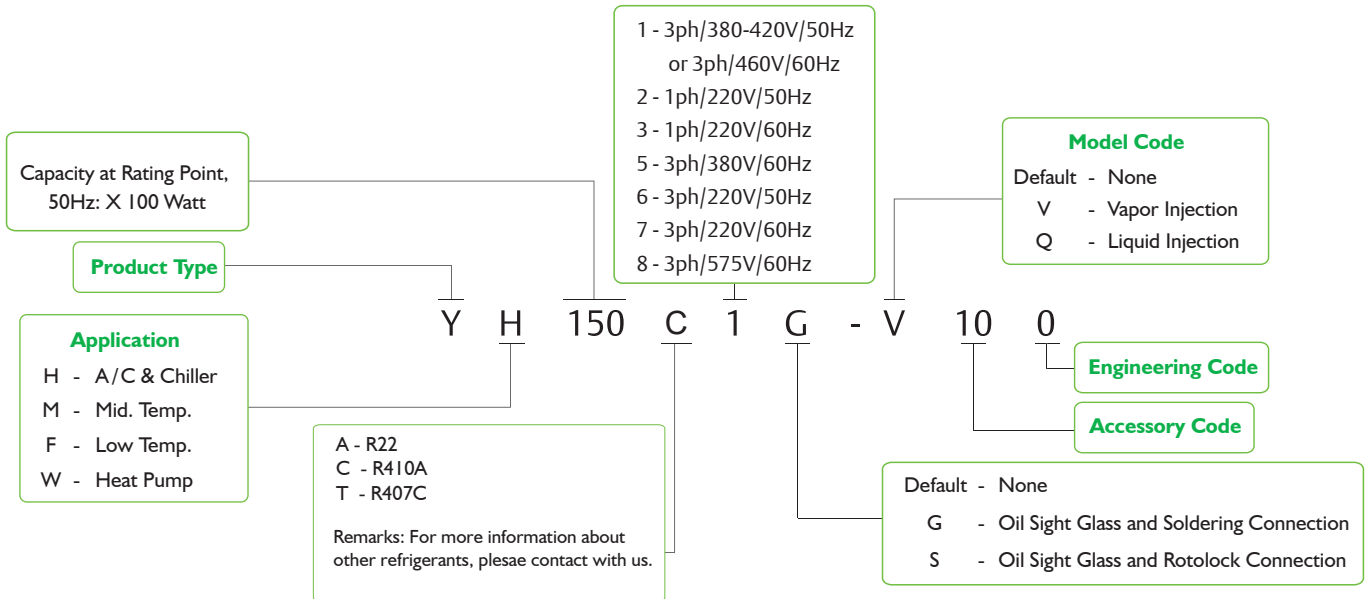
# YH/YSH Series

## Models



# YH/YSH Series

## Nomenclature



# YH/YSH Series

## Specifications

# 50Hz

# R410A

Model	YH95C1-100	YH119C1-100	YH150C1-100	YH175C1-100	YH200C1-100	YH230C1-100	YH266C1-100	YH292C1-100	YH355C1-100
Electricity	380-420V/3~/50Hz or 460V/3~/60Hz								
Power in Horse Power (HP)	3.5	4	5	6	7	8	9	10	12
Displacement (cc/rev)	38.5	46	59.2	66.1	74.7	90.8	100	107.5	131.6
Refrigerant	R410A								
Cooling Capacity (W)	9500	11900	15000	17300	19600	23000	26600	29200	34800
Power in Watt (W)	3170	3888	4854	5545	6200	7210	8340	9070	10800
COP (W/W)	3	3.06	3.09	3.12	3.16	3.19	3.19	3.22	3.22
Running Current (A)	5.8	7.4	8.6	9.7	11.6	13.4	14.8	15.8	18.2
LRA (A)	45	60	60	65	85	117	117	121	121
MOC (A)	7.5	9.9	13	13.5	17.1	18.3	21.1	23.6	26.8
Crankcase Heater (W)	70					90			
Fitting Dimensions (mm)									
Discharge Tube(ID)	12.87-12.97					22.35-22.45			
Suction Tube(ID)	22.35-22.45					28.83-28.93			
Product Dimensions (mm)									
Length (L)	239					260			
Width (W)	239					244			
Height (H)	418			463			508		
Feet Dimensions (hole)	190x190(8.8)								
Oil Type	POE								
Initial Charge Volume (L)	1.4			1.6		2.7		3	
Recharge Volume (L)	1.25			1.45		2.55		2.85	
Max Pressure (MPa)									
High Side	4.3								
Low Side	3.1								
Weight (kg)	30	31	31	33	38	53	53	54	54

Nominal working conditions: ET 7.2°C, CT 54.4°C, suction superheat 11.1K, supercooling 8.3K



# YH/YSH Series

## Specifications

50Hz

R410A

Model	YH400C1-100	YH450C1-100	YSH400C1 G-100	YSH450C1 G-100	YH610C1G-100	YH720C1G-100			
Electricity	380-420V/3~/50Hz								
Power in Horse Power (HP)	13	15	13	15	20	25			
Displacement (cc/rev)	145.4	167.2	145.4	167.2	235.6	269			
Refrigerant	R410A								
Cooling Capacity (W)	39500	44500	39500	44500	61900	71200			
Power in Watt (W)	12540	14127	12540	14127	18620	21254			
COP (W/W)	3.15	3.15	3.15	3.15	3.32	3.35			
Running Current (A)	22	24.5	22	24.5	33.6	38.5			
LRA (A)	148.5	148.5	148.5	148.5	266	266			
MOC (A)	32.5	36	32.5	36	45	53			
Crankcase Heater (W)	90		75		140				
Fitting Dimensions (mm)									
Discharge Tube(ID)	22.35-22.45		22.50-22.60		28.80-28.90				
Suction Tube(ID)	28.83-28.93		35.20-35.30		41.56-41.66				
Product Dimensions (mm)									
Length (L)	260		318		359.8				
Width (W)	244		308		326.2				
Height (H)	508		584		671.2				
Feet Dimensions (hole)	190x190(8.8)		190.5x190.5(10.2)		232x232(11.0)				
Oil Type	POE								
Initial Charge Volume (L)	3		3.4		5.5				
Recharge Volume (L)	2.85		3.25		5.3				
Max Pressure (MPa)									
High Side	4.3								
Low Side	3.1								
Weight (kg)	54	54	90	90	100	104			

Nominal working conditions: ET 7.2°C, CT 54.4°C, suction superheat 11.1K, supercooling 8.3K

# YH/YSH Series

## Specifications

# 50Hz

# R407C

Model	YH89T2-102	YH119T2-100	YH69T1-100	YH89T1-100	YH119T1-100	YH128T1-100	YH150T1-100	YH175T1-100	YH200T1-100
Electricity	220V/1~/50Hz			380-420V/3~/50Hz or 460V/3~/60Hz					
Power in Horse Power (HP)	3	4	2	3	4	4.3	5	6	7
Displacement (cc/rev)	49.4	66.1	38.5	49.4	66.1	71.3	83.3	97.1	108
Refrigerant	R407C								
Cooling Capacity (W)	8540	11420	6530	8540	11420	12290	14400	16510	19300
Power in Watt (W)	2827	3660	2160	2680	3550	3750	4410	5030	5970
COP (W/W)	3.02	3.12	3.02	3.19	3.22	3.28	3.27	3.28	3.23
Running Current (A)	13.4	17.3	4.8	5.3	7.1	7.6	8.4	9.1	11.2
LRA (A)	76	109	45	45	60	60	60	65	85
MOC (A)	19.4	24.4	6.2	7.6	9.7	10.2	11.6	13.6	16.1
Crankcase Heater (W)	70								
Fitting Dimensions (mm)									
Discharge Tube(ID)	12.87-12.97								
Suction Tube(ID)	22.35-22.45								
Product Dimensions (mm)									
Length (L)	239								
Width (W)	239								
Height (H)	418							463	
Feet Dimensions (hole)	190x190(8.8)								
Oil Type	POE								
Initial Charge Volume (L)	1.4							1.6	
Recharge Volume (L)	1.25							1.45	
Max Pressure (MPa)									
High Side	3								
Low Side	2								
Weight (kg)	31	33	30	30	31	31	31	33	38

Nominal working conditions: ET 7.2°C, CT 54.4°C, suction superheat 11.1K, supercooling 8.3K

# YH/YSH Series

## Specifications

50Hz

R407C

Model	YH230T1-100	YH266T1-100	YH307T1-100	YH355T1-100	YSH400T1-G-100	YSH450T1-G-100	YH610T1G-100	YH720T1G-100
Electricity	380-420V/3~/50Hz or 460V/3~/60Hz							
Power in Horse Power (HP)	8	9	10	12	13	15	20	25
Displacement (cc/rev)	123	142	167.2	189.1	216.7	244.3	332.6	392
Refrigerant	R407C							
Cooling Capacity (W)	22180	25530	29470	34080	37920	41856	58033	68356
Power in Watt (W)	6770	7780	8910	10240	11734	13145	17444	20547
COP (W/W)	3.28	3.28	3.31	3.33	3.23	3.18	3.32	3.32
Running Current (A)	12.9	14.8	15.6	17.8	20.4	22.8	31.5	36.7
LRA (A)	117	117	121	121	148.5	148.5	205	266
MOC (A)	17.6	19.7	22.5	25.3	27.7	31.6	40	51
Crankcase Heater (W)	90			75			140	
Fitting Dimensions (mm)								
Discharge Tube(ID)	22.35-22.45			22.50-22.60			28.80-28.90	
Suction Tube(ID)	28.83-28.93			35.20-35.30			41.56-41.66	
Product Dimensions (mm)								
Length (L)	260			318			359.8	
Width (W)	244			308			326.2	
Height (H)	508			584			671.2	
Feet Dimensions (hole)	190x190(8.8)			190.5x190.5(10.2)			232x232(11.0)	
Oil Type	POE							
Initial Charge Volume (L)	2.7		3		3.4		5.5	
Recharge Volume (L)	2.55		2.85		3.25		5.3	
Max Pressure (MPa)								
High Side	3							
Low Side	2							
Weight (kg)	53	53	54	54	90	90	100	104

Nominal working conditions: ET 7.2°C, CT 54.4°C, suction superheat 11.1K, supercooling 8.3K

# YH/YSH Series

## Specifications

# 50Hz

# R22

Model	YH89A2-102	YH119A2-100	YH69A1-100	YH89A1-100	YH119A1-100	YH128A1-100	YH150A1-100	YH175A1-100	YH200A1-100
Electricity	220V/1~/50Hz			380-420V/3~/50Hz or 460V/3~/60Hz					
Power in Horse Power (HP)	3	4	2	3	4	4.3	5	6	7
Displacement (cc/rev)	49.4	66.1	38.5	49.4	66.1	71.3	83.3	97.1	108
Refrigerant	R22								
Cooling Capacity (W)	8900	11900	6800	8900	11900	12800	15000	17200	20110
Power in Watt (W)	2799	3625	2140	2650	3520	3710	4370	4980	5910
COP (W/W)	3.18	3.28	3.18	3.35	3.38	3.45	3.42	3.45	3.4
Running Current (A)	13.3	17.2	4.8	5.3	7	7.5	8.3	9	10.8
LRA (A)	76	109	45	45	60	60	60	65	85
MOC (A)	19.2	24.2	6.1	7.5	9.6	10.1	11.5	13.5	16.1
Crankcase Heater (W)	70								
Fitting Dimensions (mm)									
Discharge Tube(ID)	12.87-12.97								
Suction Tube(ID)	22.35-22.45								
Product Dimensions (mm)									
Length (L)	239								
Width (W)	239								
Height (H)	418							463	
Feet Dimensions (hole)	190x190(8.8)								
Oil Type	3GS								
Initial Charge Volume (L)	1.4							1.6	
Recharge Volume (L)	1.25							1.45	
Max Pressure (MPa)									
High Side	3								
Low Side	2								
Weight (kg)	31	33	30	30	31	31	31	33	38

Nominal working conditions: ET 7.2°C, CT 54.4°C, suction superheat 11.1K, supercooling 8.3K

# YH/YSH Series

50Hz

## Specifications

R22

Model	YH230A1-100	YH266A1-100	YH307A1-100	YH355A1-100	YSH400A1 G-100	YSH450A1 G-100			
Electricity	380-420V/3~/50Hz or 460V/3~/60Hz								
Power in Horse Power (HP)	8	9	10	12	13	15			
Displacement (cc/rev)	123	142	167.2	189.1	216.7	244.3			
Refrigerant	R22								
Cooling Capacity (W)	23100	26600	30700	35500	39500	43600			
Power in Watt (W)	6700	7700	8820	10140	11618	13015			
COP (W/W)	3.45	3.45	3.48	3.5	3.4	3.35			
Running Current (A)	12.7	14.6	15.4	17.6	20.2	22.6			
LRA (A)	117	117	121	121	148.5	148.5			
MOC (A)	17.4	19.5	22.3	25	27.4	31.3			
Crankcase Heater (W)	90			75					
Fitting Dimensions (mm)									
Discharge Tube(ID)	22.35-22.45			22.50-22.60					
Suction Tube(ID)	28.83-28.93			35.20-35.30					
Product Dimensions (mm)									
Length (L)	260			318					
Width (W)	244			308					
Height (H)	508			584					
Feet Dimensions (hole)	190x190(8.8)			190.5x190.5(10.2)					
Oil Type	3GS								
Initial Charge Volume (L)	2.7		3		3.4				
Recharge Volume (L)	2.55		2.85		3.25				
Max Pressure (MPa)									
High Side	3								
Low Side	2								
Weight (kg)	53	53	54	54	90	90			

Nominal working conditions: ET 7.2°C, CT 54.4°C, suction superheat 11.1K, supercooling 8.3K

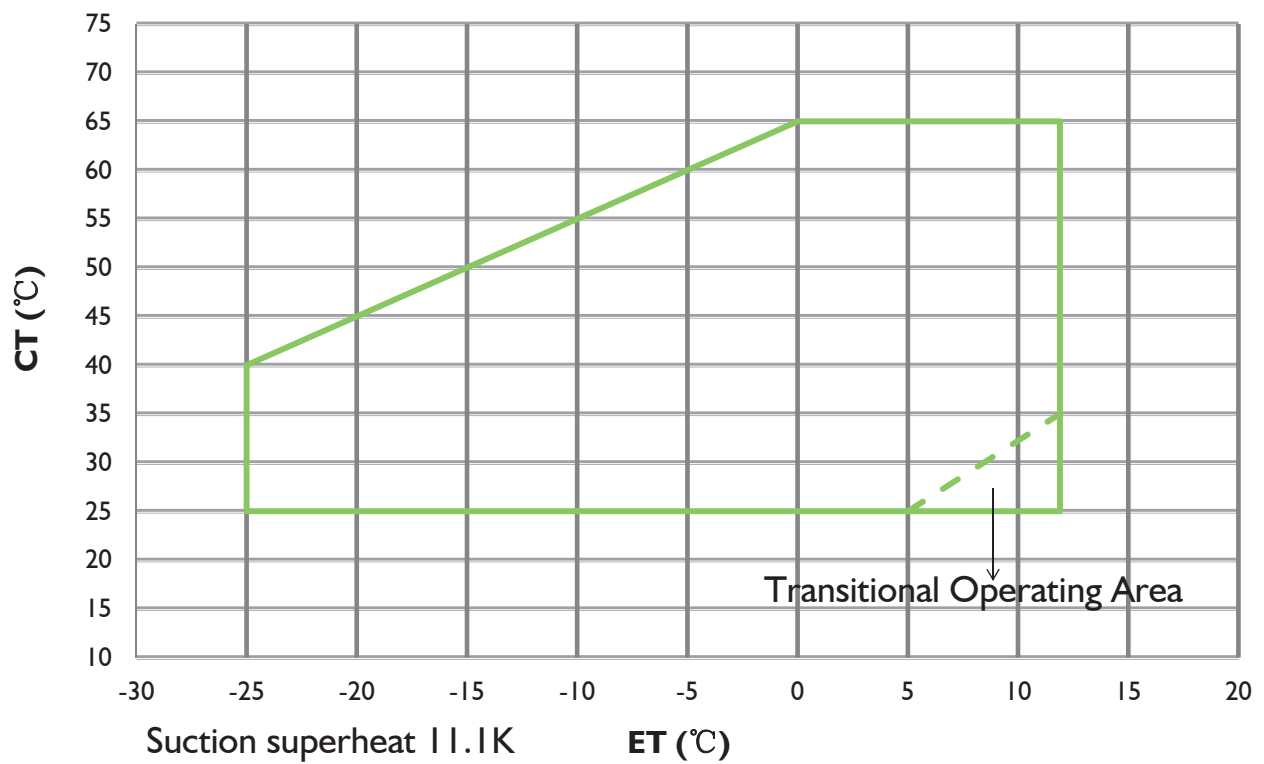


# YH/YSH Series

## Operating Envelope

### YH/YSH R22/R407C/R410A

— YH/YSH 69-450    - - - YH610-720



# YH/YSH Series

50Hz

## Capacity

# R410A

Model	CT (°C)	ET (°C)								
		-25	-20	-15	-10	-5	0	5	10	
YH95CI-100	Capacity (W)	65						5921	7251	8780
		60					5448	6675	8068	9678
		55				4899	6044	7322	8784	10482
		50			4284	5368	6553	7888	9426	11218
		45		3616	4661	5772	7002	8401	10021	11913
		40	2906	3932	4993	6138	7420	8889	10597	12596
		35	3195	4225	5307	6492	7832	9378	11181	13293
		30	3481	4521	5631	6863	8267	9896	11800	14031
	25	3791	4847	5992	7276	8752	10469	12481	14838	
	Watt (W)	65						4269	4226	4193
		60					3786	3739	3700	3674
		55				3376	3329	3287	3254	3235
		50			3025	2980	2939	2903	2877	2865
		45		2717	2679	2640	2605	2576	2558	2554
		40	2438	2410	2378	2346	2318	2297	2287	2292
		35	2158	2136	2111	2086	2066	2054	2053	2068
30		1901	1886	1868	1852	1840	1837	1846	1872	
25	1655	1648	1639	1631	1629	1636	1657	1694		
YH119CI-100	Capacity (W)	65						7417	9083	10998
		60					6825	8362	10106	12123
		55				6136	7571	9171	11003	13130
		50			5366	6725	8208	9881	11807	14052
		45		4529	5838	7231	8771	10524	12553	14923
		40	3640	4926	6254	7689	9294	11135	13275	15778
		35	4002	5292	6648	8133	9811	11747	14006	16651
		30	4360	5663	7054	8596	10356	12396	14781	17576
	25	4749	6072	7506	9114	10963	13114	15634	18586	
	Watt (W)	65						5243	5189	5150
		60					4650	4592	4544	4512
		55				4146	4088	4037	3997	3972
		50			3714	3660	3609	3565	3533	3518
		45		3336	3290	3243	3199	3164	3141	3136
		40	2994	2959	2920	2881	2846	2820	2808	2814
		35	2650	2623	2593	2562	2537	2522	2521	2539
30		2334	2316	2294	2274	2260	2256	2268	2299	
25	2033	2024	2012	2003	2001	2010	2035	2080		
YH150CI-100	Capacity (W)	65						9350	11449	13864
		60					8603	10540	12739	15282
		55				7735	9543	11561	13869	16550
		50			6764	8477	10346	12455	14883	17712
		45		5709	7359	9114	11056	13265	15823	18811
		40	4588	6209	7883	9692	11715	14035	16733	19889
		35	5044	6671	8380	10251	12367	14807	17654	20989
		30	5496	7138	8891	10836	13053	15625	18631	22154
	25	5986	7653	9461	11489	13818	16531	19707	23428	
	Watt (W)	65						6545	6478	6428
		60					5804	5732	5673	5632
		55				5175	5103	5039	4989	4959
		50			4636	4569	4505	4450	4410	4391
		45		4164	4107	4048	3993	3949	3921	3915
		40	3737	3694	3645	3596	3553	3521	3505	3513
		35	3308	3275	3236	3198	3167	3148	3147	3170
30		2914	2891	2864	2839	2821	2816	2831	2870	
25	2538	2526	2512	2500	2497	2509	2540	2596		

Capacity @ Super Heat 11K, Subcooling 8.3K



# YH/YSH Series

50Hz

## Capacity

# R410A

Model	CT (°C)	ET (°C)								
		-25	-20	-15	-10	-5	0	5	10	
YH175CI-100	Capacity (W)	65						10783	13205	15989
		60					9922	12156	14692	17625
		55				8921	11006	13333	15996	19088
		50			7802	9776	11933	14364	17165	20428
		45		6585	8488	10512	12751	15299	18249	21695
		40	5291	7161	9092	11178	13512	16187	19298	22938
		35	5818	7694	9664	11823	14263	17078	20361	24207
		30	6339	8233	10254	12497	15055	18021	21488	25551
	Watt (W)	25	6903	8827	10912	13250	15937	19065	22728	27020
		65						7475	7399	7343
		60					6630	6547	6479	6433
		55				5912	5829	5756	5698	5664
		50			5296	5219	5145	5083	5038	5016
		45		4757	4691	4623	4561	4511	4479	4472
		40	4269	4219	4164	4108	4058	4021	4004	4013
		35	3779	3741	3697	3653	3618	3596	3595	3621
YH200CI-100	Capacity (W)	65						12217	14960	18115
		60					11241	13772	16646	19968
		55				10107	12469	15106	18123	21626
		50			8839	11076	13519	16274	19447	23144
		45		7460	9616	11909	14447	17333	20676	24579
		40	5995	8113	10301	12664	15308	18339	21864	25988
		35	6591	8717	10949	13395	16159	19348	23068	27425
		30	7181	9327	11618	14159	17057	20417	24345	28948
	Watt (W)	25	7821	10001	12362	15012	18056	21600	25750	30612
		65						8362	8276	8214
		60					7416	7324	7248	7196
		55				6613	6520	6438	6374	6336
		50			5924	5838	5756	5686	5635	5611
		45		5321	5247	5172	5102	5046	5010	5002
		40	4775	4720	4658	4595	4539	4498	4479	4489
		35	4227	4184	4135	4087	4047	4023	4021	4050
YH230CI-100	Capacity (W)	30	3723	3694	3659	3627	3604	3598	3617	3667
		25	3242	3228	3210	3195	3191	3205	3245	3317
		65						14336	17556	21258
		60					13191	16161	19533	23432
		55				11860	14632	17726	21266	25377
		50			10372	12997	15864	19097	22821	27159
		45		8754	11284	13975	16953	20340	24262	28843
		40	7035	9520	12088	14861	17963	21521	25657	30496
	Watt (W)	35	7734	10229	12849	15718	18962	22705	27070	32183
		30	8427	10945	13633	16615	20015	23958	28568	33970
		25	9178	11735	14507	17616	21188	25347	30217	35923
		65						9720	9621	9548
		60					8620	8513	8425	8365
		55				7687	7579	7484	7410	7365
		50			6886	6786	6691	6609	6551	6522
		45		6185	6099	6012	5931	5866	5824	5815
YH230CI-100	Watt (W)	40	5550	5487	5414	5341	5277	5229	5207	5218
		35	4914	4864	4807	4751	4704	4676	4675	4708
		30	4328	4294	4254	4216	4190	4183	4204	4262
		25	3769	3752	3731	3714	3709	3726	3772	3856

Capacity @ Super Heat 11K, Subcooling 8.3K



Model	CT (°C)	ET (°C)								
		-25	-20	-15	-10	-5	0	5	10	
YH266CI-100	Capacity (W)	65					15256	16580	20303	24585
		60					15256	18691	22591	27100
		55				13717	16923	20501	24595	29349
		50			11996	15032	18347	22086	26393	31410
		45		10125	13050	16163	19606	23524	28060	33358
		40	8136	11011	13980	17187	20775	24889	29673	35269
		35	8945	11830	14860	18179	21930	26259	31307	37220
		30	9746	12658	15767	19216	23148	27708	33040	39287
	25	10614	13572	16777	20374	24505	29314	34947	41545	
	Watt (W)	65						11242	11127	11042
		60					9970	9846	9744	9675
		55				8890	8766	8655	8570	8518
		50			7964	7848	7738	7644	7576	7543
		45		7153	7054	6953	6859	6784	6736	6725
		40	6419	6345	6261	6177	6103	6048	6021	6034
		35	5683	5625	5559	5494	5440	5408	5406	5445
30		5005	4966	4919	4876	4845	4838	4862	4929	
25	4359	4340	4315	4295	4290	4309	4362	4460		
YH292CI-100	Capacity (W)	65					18200	22288	26988	
		60					16747	20517	24799	29748
		55				15057	18577	22505	26999	32218
		50			13168	16501	20141	24245	28972	34480
		45		11114	14326	17743	21523	25823	30802	36618
		40	8931	12087	15346	18866	22806	27322	32573	38716
		35	9819	12986	16312	19956	24074	28825	34367	40858
		30	10699	13896	17308	21094	25411	30417	36269	43127
	25	11652	14899	18417	22365	26900	32180	38363	45606	
	Watt (W)	65						12226	12100	12009
		60					10842	10707	10597	10521
		55				9668	9533	9413	9319	9263
		50			8661	8535	8415	8313	8239	8204
		45		7780	7671	7561	7460	7377	7325	7313
		40	6981	6901	6809	6718	6637	6577	6548	6563
		35	6180	6118	6045	5975	5917	5881	5879	5922
30		5444	5400	5350	5303	5269	5261	5288	5361	
25	4740	4719	4693	4671	4665	4686	4744	4850		
YH355CI-100	Capacity (W)	65					21691	26562	32164	
		60					19958	24452	29555	35454
		55				17945	22139	26820	32177	38397
		50			15693	19666	24003	28895	34529	41092
		45		13246	17073	21145	25650	30775	36710	43641
		40	10644	14405	18289	22485	27179	32562	38820	46141
		35	11703	15477	19441	23783	28691	34353	40958	48694
		30	12750	16561	20627	25139	30284	36250	43225	51398
	25	13887	17756	21949	26654	32059	38351	45720	54352	
	Watt (W)	65						14570	14421	14312
		60					12922	12761	12629	12539
		55				11522	11361	11218	11107	11039
		50			10322	10172	10029	9907	9819	9777
		45		9271	9143	9011	8890	8792	8730	8716
		40	8320	8224	8115	8006	7910	7838	7804	7821
		35	7366	7291	7205	7121	7051	7009	7007	7057
30		6487	6436	6376	6320	6280	6270	6302	6389	
25	5650	5624	5593	5567	5560	5585	5654	5780		

Capacity @ Super Heat 11K, Subcooling 8.3K

# YH/YSH Series

50Hz

## Capacity

# R410A

Model	CT (°C)	ET (°C)							
		-25	-20	-15	-10	-5	0	5	10
YH610C1G-100	Capacity (W)	65					36739	44679	53883
		60				34309	41898	50686	60759
		55				31163	38306	46583	56081
		50			27628	34228	41899	50725	60791
		45		24029	29991	36959	45018	54253	64748
		40	20693	25920	32089	39286	47593	57097	67881
		35	22341	27616	33854	41138	49554	59187	70121
		30	23866	29049	35214	42447	50832	60453	71396
	Watt (W)	25	25196	30147	36100	43142	51355	60826	71639
		65					24227	24418	24535
		60					21451	21646	21775
		55				19044	19228	19354	19453
		50			16973	17130	17237	17324	17427
		45		15204	15319	15391	15451	15533	15671
		40	13704	13762	13783	13800	13847	13956	14161
		35	12424	12379	12338	12333	12399	12567	12873
YH720C1G-100	Capacity (W)	30	11146	11031	10959	10965	11082	11343	11780
		25	9846	9692	9623	9672	9872	10256	10859
		65						42998	52715
		60					40988	50006	60381
		55				37334	45624	55152	66255
		50			32848	40381	49034	59144	71048
		45		28346	35092	42840	51928	62692	75469
		40	24639	30570	37384	45420	55015	66505	80229
	Watt (W)	35	27628	33480	40436	48831	59005	71294	86035
		30	31941	37787	44955	53783	64608	77768	93599
		25	38288	44199	51652	60985	72533	86636	103629
		65						27335	27699
		60					24192	24509	24759
		55				21477	21759	21986	22175
		50			19108	19367	19582	19771	19950
		45		17003	17250	17466	17666	17868	18087
Capacity (W)	40	15079	15326	15554	15777	16014	16280	16591	
	35	13512	13764	14023	14306	14629	15010	15465	
	30	12013	12319	12661	13054	13517	14064	14713	
	25	10584	10996	11472	12027	12679	13444	14338	

Capacity @ Super Heat 11K, Subcooling 8.3K

# YH/YSH Series

50Hz

## Capacity

R407C

Model	CT (°C)	ET (°C)								
		-25	-20	-15	-10	-5	0	5	10	
YH89T2-102	Capacity (W)	65						5719	6922	8298
		60					5042	6149	7417	8862
		55				4381	5397	6561	7891	9401
		50			3745	4673	5738	6956	8343	9915
		45		3141	3985	4954	6065	7333	8775	10405
		40	2574	3339	4217	5225	6379	7694	9186	10871
		35	2743	3535	4444	5487	6679	8037	9576	11313
		30	2914	3728	4664	5739	6966	8364	9947	11731
	Watt (W)	25	3085	3919	4879	5981	7241	8674	10297	12126
		65						3560	3556	3560
		60					3191	3191	3193	3202
		55				2856	2864	2869	2876	2890
		50			2546	2566	2578	2588	2599	2617
		45		2252	2289	2313	2329	2342	2358	2379
		40	1966	2024	2064	2091	2111	2127	2145	2170
		35	1762	1823	1865	1895	1917	1936	1956	1983
YH119T2-100	Capacity (W)	65					7647	9256	11095	
		60					6741	8222	9917	11849
		55				5858	7216	8773	10550	12570
		50			5008	6248	7672	9301	11155	13257
		45		4199	5328	6624	8109	9805	11732	13913
		40	3442	4465	5639	6987	8529	10287	12282	14535
		35	3668	4726	5942	7336	8931	10746	12804	15126
		30	3896	4985	6237	7673	9314	11183	13299	15685
	Watt (W)	25	4125	5240	6524	7997	9681	11598	13768	16213
		65						4615	4610	4614
		60					4137	4136	4139	4151
		55				3702	3712	3719	3728	3746
		50			3300	3326	3342	3354	3369	3393
		45		2920	2967	2998	3019	3036	3056	3084
		40	2549	2623	2675	2711	2736	2757	2781	2813
		35	2284	2363	2418	2457	2486	2510	2536	2570
YH69T1-100	Capacity (W)	65					4369	5289	6340	
		60					3852	4698	5667	6771
		55				3348	4123	5013	6029	7183
		50			2862	3570	4384	5315	6374	7576
		45		2400	3044	3785	4634	5603	6704	7950
		40	1967	2551	3222	3992	4874	5878	7018	8306
		35	2096	2701	3395	4192	5103	6141	7317	8644
		30	2226	2848	3564	4384	5323	6390	7600	8963
	Watt (W)	25	2357	2994	3728	4570	5532	6627	7867	9264
		65						2736	2733	2736
		60					2444	2444	2446	2453
		55				2179	2185	2189	2194	2206
		50			1933	1949	1959	1966	1975	1990
		45		1701	1730	1749	1761	1772	1784	1801
		40	1474	1520	1551	1573	1589	1602	1616	1635
		35	1313	1360	1394	1418	1436	1450	1466	1487
YH69T1-100	30	1169	1218	1254	1279	1298	1314	1331	1353	
	25	1038	1089	1126	1152	1171	1188	1206	1228	

Capacity @ Super Heat 11K, Subcooling 8.3K



# YH/YSH Series

50Hz

## Capacity

# R407C

Model	CT (°C)	ET (°C)								
		-25	-20	-15	-10	-5	0	5	10	
YH89TI-100	Capacity (W)	65						5719	6922	8298
		60					5042	6149	7417	8862
		55				4381	5397	6561	7891	9401
		50			3745	4673	5738	6956	8343	9915
		45		3141	3985	4954	6065	7333	8775	10405
		40	2574	3339	4217	5225	6379	7694	9186	10871
		35	2743	3535	4444	5487	6679	8037	9576	11313
		30	2914	3728	4664	5739	6966	8364	9947	11731
	25	3085	3919	4879	5981	7241	8674	10297	12126	
	Watt (W)	65						3400	3396	3399
		60					3037	3036	3038	3047
		55				2707	2714	2719	2726	2740
		50			2402	2421	2434	2443	2454	2472
		45		2113	2149	2172	2188	2202	2217	2238
		40	1832	1888	1927	1954	1974	1990	2008	2032
		35	1631	1690	1732	1762	1784	1802	1822	1848
30		1452	1514	1558	1589	1613	1633	1654	1681	
25	1290	1353	1398	1431	1455	1476	1498	1526		
YH119TI-100	Capacity (W)	65					7647	9256	11095	
		60					6741	8222	9917	11849
		55				5858	7216	8773	10550	12570
		50			5008	6248	7672	9301	11155	13257
		45		4199	5328	6624	8109	9805	11732	13913
		40	3442	4465	5639	6987	8529	10287	12282	14535
		35	3668	4726	5942	7336	8931	10746	12804	15126
		30	3896	4985	6237	7673	9314	11183	13299	15685
	25	4125	5240	6524	7997	9681	11598	13768	16213	
	Watt (W)	65						4505	4500	4505
		60					4024	4024	4026	4038
		55				3587	3597	3604	3613	3631
		50			3183	3209	3225	3237	3252	3276
		45		2800	2848	2879	2900	2918	2937	2966
		40	2427	2502	2554	2590	2615	2637	2661	2692
		35	2161	2240	2296	2335	2364	2388	2414	2449
30		1925	2006	2064	2106	2137	2164	2192	2228	
25	1710	1793	1853	1896	1929	1956	1985	2022		
YH128TI-100	Capacity (W)	65					8225	9956	11935	
		60					7251	8843	10667	12745
		55				6301	7762	9436	11348	13520
		50			5387	6721	8252	10004	11999	14260
		45		4517	5731	7125	8723	10547	12620	14965
		40	3702	4802	6066	7515	9174	11065	13211	15635
		35	3946	5084	6391	7891	9606	11559	13773	16270
		30	4190	5362	6708	8253	10019	12029	14305	16872
	25	4437	5636	7017	8602	10413	12475	14809	17439	
	Watt (W)	65						4748	4742	4747
		60					4241	4240	4243	4256
		55				3780	3791	3798	3807	3827
		50			3354	3382	3398	3412	3427	3453
		45		2951	3001	3034	3056	3075	3095	3125
		40	2558	2637	2692	2729	2756	2779	2804	2837
		35	2278	2360	2419	2460	2491	2516	2544	2581
30		2028	2114	2176	2219	2252	2280	2310	2348	
25	1802	1890	1953	1998	2032	2061	2092	2131		

Capacity @ Super Heat 11K, Subcooling 8.3K

# YH/YSH Series

50Hz

## Capacity

R407C

Model	CT (°C)	ET (°C)								
		-25	-20	-15	-10	-5	0	5	10	
YH150TI-100	Capacity (W)	65						9639	11667	13986
		60					8497	10363	12501	14936
		55				7384	9096	11058	13299	15844
		50			6312	7876	9670	11723	14061	16711
		45		5293	6716	8350	10222	12359	14789	17537
		40	4339	5628	7108	8807	10751	12967	15481	18322
		35	4624	5958	7490	9247	11257	13545	16140	19067
		30	4911	6283	7861	9672	11741	14096	16764	19771
	25	5199	6605	8223	10080	12203	14619	17354	20436	
	Watt (W)	65						5612	5606	5612
		60					5013	5013	5016	5031
		55				4469	4481	4489	4501	4524
		50			3965	3997	4018	4033	4052	4081
		45		3488	3547	3586	3613	3635	3659	3695
		40	3024	3117	3182	3227	3258	3285	3314	3354
		35	2693	2790	2860	2909	2944	2975	3008	3051
25		2398	2499	2572	2624	2662	2695	2730	2776	
YH175TI-100	Capacity (W)	65					11245	13611	16317	
		60					9913	12090	14584	17425
		55				8615	10611	12901	15515	18485
		50			7364	9188	11282	13677	16405	19496
		45		6175	7835	9741	11926	14419	17254	20460
		40	5062	6566	8293	10275	12543	15128	18062	21376
		35	5395	6951	8738	10789	13133	15803	18830	22244
		30	5729	7331	9172	11284	13698	16445	19558	23067
	25	6066	7706	9593	11760	14237	17055	20247	23842	
	Watt (W)	65						6491	6484	6490
		60					5798	5797	5801	5818
		55				5168	5183	5192	5206	5232
		50			4586	4623	4646	4664	4686	4720
		45		4034	4103	4148	4178	4204	4232	4273
		40	3497	3605	3680	3732	3768	3799	3833	3879
		35	3114	3227	3308	3364	3405	3441	3479	3528
25		2773	2890	2974	3034	3079	3117	3158	3210	
YH200TI-100	Capacity (W)	65					12851	15556	18648	
		60					11330	13818	16667	19915
		55				9846	12127	14744	17732	21126
		50			8416	10501	12894	15631	18748	22281
		45		7057	8954	11133	13629	16479	19718	23383
		40	5785	7504	9478	11742	14334	17289	20642	24429
		35	6165	7944	9987	12330	15009	18061	21520	25422
		30	6547	8378	10482	12896	15655	18795	22352	26362
	25	6932	8807	10964	13440	16271	19492	23139	27249	
	Watt (W)	65						7527	7519	7526
		60					6724	6723	6727	6747
		55				5993	6010	6021	6037	6067
		50			5318	5361	5388	5409	5434	5474
		45		4678	4758	4810	4846	4875	4908	4955
		40	4056	4181	4268	4327	4370	4406	4445	4499
		35	3611	3743	3836	3901	3949	3990	4034	4092
25		3216	3352	3449	3519	3571	3615	3662	3722	

Capacity @ Super Heat 11K, Subcooling 8.3K



# YH/YSH Series

50Hz

## Capacity

# R407C

Model	CT (°C)	ET (°C)								
		-25	-20	-15	-10	-5	0	5	10	
YH230TI-100	Capacity (W)	65						19727	23878	28624
		60					17391	21210	25584	30569
		55				15113	18616	22632	27218	32428
		50			12919	16119	19792	23994	28779	34202
		45		10833	13745	17089	20921	25296	30268	35892
		40	8880	11518	14548	18025	22003	26538	31685	37499
		35	9464	12193	15329	18926	23039	27723	33033	39023
		30	10050	12860	16090	19795	24030	28850	34310	40465
	25	10641	13518	16830	20631	24976	29920	35519	41826	
	Watt (W)	65						11289	11276	11287
		60					10083	10083	10089	10119
		55				8988	9013	9030	9053	9099
		50			7976	8040	8081	8112	8150	8209
		45		7016	7135	7214	7267	7311	7360	7431
		40	6083	6270	6400	6490	6554	6607	6666	6746
		35	5416	5613	5752	5850	5922	5984	6050	6136
30		4822	5027	5173	5277	5355	5421	5492	5583	
25	4284	4493	4644	4752	4832	4902	4974	5067		
YH266TI-100	Capacity (W)	65						17092	20689	24802
		60					15068	18377	22168	26486
		55				13095	16129	19610	23583	28097
		50			11194	13966	17149	20789	24935	29634
		45		9386	11909	14807	18127	21917	26225	31099
		40	7694	9980	12605	15617	19065	22994	27454	32491
		35	8200	10565	13282	16399	19962	24021	28621	33812
		30	8708	11142	13941	17151	20821	24997	29728	35061
	25	9220	11713	14582	17875	21640	25924	30775	36241	
	Watt (W)	65						9866	9855	9865
		60					8813	8812	8818	8844
		55				7856	7878	7892	7912	7952
		50			6970	7027	7062	7090	7123	7175
		45		6132	6236	6305	6351	6389	6433	6495
		40	5316	5480	5594	5672	5728	5775	5826	5896
		35	4733	4905	5028	5113	5176	5230	5287	5363
30		4215	4393	4521	4612	4680	4738	4800	4879	
25	3744	3927	4058	4153	4223	4284	4348	4428		
YH307TI-100	Capacity (W)	65						19727	23878	28624
		60					17391	21210	25584	30569
		55				15113	18616	22632	27218	32428
		50			12919	16119	19792	23994	28779	34202
		45		10833	13745	17089	20921	25296	30268	35892
		40	8880	11518	14548	18025	22003	26538	31685	37499
		35	9464	12193	15329	18926	23039	27723	33033	39023
		30	10050	12860	16090	19795	24030	28850	34310	40465
	25	10641	13518	16830	20631	24976	29920	35519	41826	
	Watt (W)	65						11289	11276	11287
		60					10083	10083	10089	10119
		55				8988	9013	9030	9053	9099
		50			7976	8040	8081	8112	8150	8209
		45		7016	7135	7214	7267	7311	7360	7431
		40	6083	6270	6400	6490	6554	6607	6666	6746
		35	5416	5613	5752	5850	5922	5984	6050	6136
30		4822	5027	5173	5277	5355	5421	5492	5583	
25	4284	4493	4644	4752	4832	4902	4974	5067		

Capacity @ Super Heat 11K, Subcooling 8.3K

Model	CT (°C)	ET (°C)								
		-25	-20	-15	-10	-5	0	5	10	
YH355TI-100	Capacity (W)	65						22811	27611	33100
		60					20110	24526	29585	35348
		55				17476	21526	26171	31473	37498
		50			14939	18639	22887	27745	33278	39550
		45		12527	15894	19761	24192	29251	35000	41504
		40	10269	13319	16823	20843	25443	30688	36639	43362
		35	10943	14100	17726	21885	26641	32058	38197	45125
		30	11622	14871	18605	22890	27787	33361	39675	46792
	25	12305	15632	19461	23856	28881	34598	41072	48366	
	Watt (W)	65						12979	12964	12977
		60					11593	11592	11600	11634
		55				10334	10363	10382	10409	10462
		50			9170	9244	9291	9327	9370	9439
		45		8067	8204	8294	8355	8405	8462	8544
		40	6993	7209	7359	7462	7535	7597	7665	7757
		35	6227	6453	6614	6727	6809	6880	6956	7055
30		5544	5779	5948	6067	6157	6233	6314	6419	
25	4925	5166	5339	5463	5556	5636	5719	5826		
YSH400TIG-100	Capacity (W)	65						25382	30722	36829
		60					22376	27290	32918	39331
		55				19445	23952	29120	35020	41723
		50			16622	20739	25465	30871	37028	44006
		45		13938	17685	21988	26918	32546	38944	46181
		40	11426	14820	18718	23191	28310	34146	40768	48248
		35	12176	15689	19723	24351	29643	35670	42501	50209
		30	12931	16546	20702	25469	30918	37120	44145	52065
	25	13691	17393	21654	26544	32135	38497	45700	53816	
	Watt (W)	65						14866	14850	14864
		60					13279	13278	13287	13326
		55				11837	11870	11892	11922	11983
		50			10503	10589	10642	10683	10733	10811
		45		9240	9397	9500	9570	9628	9693	9786
		40	8010	8257	8429	8547	8631	8701	8779	8885
		35	7132	7391	7575	7705	7799	7880	7967	8081
30		6351	6620	6812	6950	7052	7139	7232	7352	
25	5642	5917	6115	6257	6364	6455	6551	6673		
YSH450TIG-100	Capacity (W)	65						28016	33911	40652
		60					24698	30123	36335	43414
		55				21464	26438	32142	38655	46054
		50			18348	22892	28109	34076	40871	48574
		45		15385	19520	24270	29712	35925	42986	50974
		40	12612	16358	20661	25599	31249	37690	44999	53256
		35	13440	17317	21771	26879	32720	39372	46913	55421
		30	14273	18263	22850	28112	34127	40973	48727	57469
	25	15112	19198	23901	29299	35470	42492	50444	59402	
	Watt (W)	65						16654	16635	16652
		60					14876	14875	14885	14928
		55				13261	13298	13322	13356	13424
		50			11766	11862	11922	11968	12023	12111
		45		10351	10527	10642	10721	10785	10859	10964
		40	8974	9250	9443	9574	9669	9748	9835	9953
		35	7990	8280	8487	8631	8737	8828	8925	9053
30		7114	7416	7632	7785	7900	7998	8102	8236	
25	6320	6628	6851	7010	7129	7231	7339	7475		

Capacity @ Super Heat 11K, Subcooling 8.3K



# YH/YSH Series

50Hz

## Capacity

# R407C

Model	CT (°C)	ET (°C)								
		-25	-20	-15	-10	-5	0	5	10	
YH610T1G-100	Capacity (W)	65						36347	44968	55275
		60					32267	39961	49205	60170
		55				28348	35187	43441	53279	64873
		50			24596	30654	37989	46773	57175	69367
		45		21021	26368	32857	40658	49940	60877	73636
		40	17627	22337	28051	34941	43177	52929	64369	77667
		35	18567	23579	29630	36890	45531	55723	67637	81443
		30	19447	24731	31089	38690	47706	58308	70665	84949
	Watt (W)	25	20252	25778	32413	40325	49686	60667	73438	
		65						20978	21102	21313
		60					18684	18800	18983	19223
		55				16655	16780	16952	17163	17402
		50			14830	14980	15159	15357	15564	15771
		45		13147	13340	13543	13745	13938	14110	14254
		40	11545	11798	12041	12265	12459	12615	12723	12773
		35	10292	10593	10855	11069	11225	11314	11326	11251
YH720T1G-100	Capacity (W)	30	9136	9454	9704	9877	9964	9955	9840	9610
		25	8000	8303	8511	8612	8599	8461	8188	
		65						41779	51687	63534
		60					37088	45932	56558	69162
		55				32583	40445	49932	61241	74567
		50			28272	35235	43666	53762	65718	79732
		45		24162	30308	37767	46733	57403	69973	84640
		40	20261	25674	32243	40162	49628	60838	73987	89272
	Watt (W)	35	21341	27102	34057	42403	52335	64050	77744	93613
		30	22353	28426	35734	44471	54835	67020	81224	97643
		25	23278	29630	37256	46350	57111	69732	84412	
		65						24112	24255	24497
		60					21475	21609	21819	22095
		55				19143	19287	19485	19727	20002
		50			17046	17219	17425	17652	17890	18128
		45		15112	15334	15566	15799	16020	16219	16384
	40	13270	13561	13840	14097	14321	14500	14624	14682	
	35	11830	12176	12477	12723	12902	13004	13018	12932	
	30	10502	10866	11154	11353	11453	11442	11310	11045	
	25	9196	9544	9782	9899	9884	9725	9412		

Capacity @ Super Heat 11K, Subcooling 8.3K



Model	CT (°C)	ET (°C)								
		-25	-20	-15	-10	-5	0	5	10	
YH89A2-102	Capacity (W)	65						5957	7211	8644
		60					5252	6405	7726	9231
		55				4564	5622	6834	8219	9793
		50			3901	4868	5977	7246	8691	10328
		45		3271	4151	5161	6318	7639	9140	10839
		40	2682	3478	4393	5443	6645	8014	9568	11324
		35	2858	3682	4629	5715	6957	8372	9975	11784
		30	3035	3883	4859	5978	7257	8712	10361	12220
	Watt (W)	25	3213	4082	5082	6230	7542	9035	10726	12631
		65						3525	3521	3524
		60					3160	3159	3161	3170
		55				2828	2835	2840	2847	2861
		50			2521	2540	2553	2562	2573	2592
		45		2230	2266	2290	2306	2319	2334	2356
		40	1947	2004	2043	2070	2090	2106	2124	2148
		35	1745	1805	1847	1877	1898	1917	1937	1963
YH119A2-100	Capacity (W)	65						7965	9641	11558
		60					7022	8564	10330	12343
		55				6102	7516	9138	10990	13093
		50			5216	6508	7992	9688	11620	13810
		45		4374	5550	6900	8447	10214	12221	14492
		40	3586	4651	5874	7278	8884	10716	12794	15141
		35	3821	4923	6190	7642	9303	11194	13338	15757
		30	4058	5192	6497	7993	9703	11649	13854	16339
	Watt (W)	25	4297	5458	6795	8330	10085	12081	14341	16888
		65						4569	4564	4569
		60					4096	4095	4098	4110
		55				3666	3675	3682	3691	3709
		50			3268	3293	3309	3321	3336	3359
		45		2891	2937	2968	2989	3006	3026	3054
		40	2524	2597	2649	2684	2709	2730	2753	2785
		35	2262	2339	2394	2433	2461	2485	2511	2545
YH69A1-100	Capacity (W)	65						4552	5509	6604
		60					4013	4894	5903	7053
		55				3487	4295	5222	6280	7482
		50			2981	3719	4567	5536	6640	7891
		45		2500	3171	3943	4827	5836	6984	8281
		40	2049	2658	3357	4159	5077	6123	7311	8652
		35	2183	2813	3537	4367	5316	6396	7622	9004
		30	2319	2967	3712	4567	5544	6656	7916	9336
	Watt (W)	25	2455	3119	3883	4760	5763	6903	8195	9651
		65						2709	2706	2709
		60					2420	2420	2421	2428
		55				2157	2163	2167	2173	2184
		50			1914	1930	1939	1947	1956	1970
		45		1684	1712	1731	1744	1755	1766	1783
		40	1460	1505	1536	1558	1573	1586	1600	1619
		35	1300	1347	1381	1404	1421	1436	1452	1473
YH69A1-100	30	1157	1206	1241	1266	1285	1301	1318	1340	
	25	1028	1078	1114	1140	1160	1176	1194	1216	

Capacity @ Super Heat 11K, Subcooling 8.3K

# YH/YSH Series

50Hz

## Capacity

R22

Model		CT (°C)	ET (°C)							
			-25	-20	-15	-10	-5	0	5	10
YH89AI-100	Capacity (W)	65						5957	7211	8644
		60					5252	6405	7726	9231
		55				4564	5622	6834	8219	9793
		50			3901	4868	5977	7246	8691	10328
		45		3271	4151	5161	6318	7639	9140	10839
		40	2682	3478	4393	5443	6645	8014	9568	11324
		35	2858	3682	4629	5715	6957	8372	9975	11784
		30	3035	3883	4859	5978	7257	8712	10361	12220
	25	3213	4082	5082	6230	7542	9035	10726	12631	
	Watt (W)	65						3366	3362	3365
		60					3007	3006	3008	3017
		55				2680	2688	2692	2699	2713
		50			2378	2397	2409	2419	2430	2448
		45		2092	2128	2151	2167	2180	2195	2216
40		1814	1869	1908	1935	1954	1970	1988	2012	
35		1615	1674	1715	1744	1766	1784	1804	1830	
30		1438	1499	1542	1574	1597	1616	1638	1665	
25	1277	1340	1385	1417	1441	1461	1483	1511		
YH119AI-100	Capacity (W)	65						7965	9641	11558
		60					7022	8564	10330	12343
		55				6102	7516	9138	10990	13093
		50			5216	6508	7992	9688	11620	13810
		45		4374	5550	6900	8447	10214	12221	14492
		40	3586	4651	5874	7278	8884	10716	12794	15141
		35	3821	4923	6190	7642	9303	11194	13338	15757
		30	4058	5192	6497	7993	9703	11649	13854	16339
	25	4297	5458	6795	8330	10085	12081	14341	16888	
	Watt (W)	65						4461	4456	4460
		60					3984	3984	3987	3998
		55				3552	3562	3568	3577	3595
		50			3151	3177	3193	3205	3220	3244
		45		2772	2819	2850	2871	2889	2908	2936
40		2403	2477	2529	2564	2590	2611	2634	2666	
35		2140	2218	2273	2312	2340	2364	2391	2425	
30		1906	1986	2044	2085	2116	2142	2170	2206	
25	1693	1775	1835	1878	1909	1937	1966	2002		
YH128AI-100	Capacity (W)	65						8568	10370	12432
		60					7553	9212	11112	13276
		55				6564	8085	9829	11821	14084
		50			5611	7001	8596	10421	12499	14854
		45		4705	5970	7422	9086	10986	13146	15588
		40	3857	5002	6318	7828	9556	11526	13761	16286
		35	4110	5296	6658	8220	10006	12040	14346	16948
		30	4365	5585	6988	8597	10436	12530	14901	17575
	25	4621	5871	7309	8960	10847	12995	15426	18166	
	Watt (W)	65						4701	4695	4700
		60					4199	4198	4201	4213
		55				3743	3753	3760	3770	3789
		50			3321	3348	3365	3378	3394	3418
		45		2922	2971	3004	3026	3044	3065	3094
40		2533	2611	2665	2702	2729	2751	2776	2809	
35		2255	2337	2395	2436	2466	2492	2519	2555	
30		2008	2093	2154	2197	2230	2257	2287	2325	
25	1784	1871	1934	1979	2012	2041	2071	2110		

Capacity @ Super Heat 11K, Subcooling 8.3K

Model	CT (°C)	ET (°C)									
		-25	-20	-15	-10	-5	0	5	10		
YH150AI-100	Capacity (W)	65						10040	12153	14569	
		60					8851	10795	13021	15558	
		55				7692	9475	11519	13853	16504	
		50			6575	8204	10073	12212	14647	17407	
		45		5514	6996	8698	10648	12874	15405	18268	
		40	4520	5862	7404	9174	11199	13507	16127	19085	
		35	4817	6206	7802	9633	11726	14110	16812	19861	
		30	5115	6545	8189	10075	12230	14683	17462	20595	
	Watt (W)	25	5416	6880	8566	10500	12712	15228	18078	21288	
		65						5557	5551	5556	
		60					4964	4963	4966	4981	
		55				4425	4437	4445	4456	4479	
		50			3926	3958	3978	3993	4012	4041	
		45		3454	3512	3551	3577	3599	3623	3658	
		40	2994	3086	3151	3195	3226	3252	3282	3321	
		35	2666	2763	2832	2880	2915	2945	2978	3021	
YH175AI-100	Capacity (W)	65						11714	14178	16997	
		60					10326	12594	15192	18151	
		55				8974	11054	13439	16162	19255	
		50			7671	9571	11752	14247	17088	20309	
		45		6433	8161	10147	12423	15020	17972	21312	
		40	5273	6839	8638	10703	13065	15758	18814	22266	
		35	5619	7240	9102	11238	13680	16461	19614	23171	
		30	5968	7636	9554	11754	14269	17131	20373	24028	
	Watt (W)	25	6318	8027	9993	12250	14830	17766	21090	24836	
		65						6427	6419	6426	
		60					5740	5740	5744	5761	
		55				5117	5131	5141	5154	5180	
		50			4540	4577	4600	4618	4640	4674	
		45		3994	4062	4107	4137	4162	4190	4231	
		40	3463	3569	3644	3695	3731	3762	3795	3841	
		35	3083	3195	3275	3331	3372	3406	3444	3493	
YH200AI-100	Capacity (W)	30	2745	2862	2945	3004	3048	3086	3127	3178	
		25	2439	2558	2644	2705	2751	2790	2832	2885	
		65							13387	16204	19425
		60					11802	14393	17362	20744	
		55				10256	12633	15358	18470	22006	
		50			8767	10938	13431	16282	19530	23210	
		45		7352	9327	11597	14197	17166	20540	24357	
		40	6026	7816	9872	12232	14932	18009	21502	25447	
	Watt (W)	35	6422	8275	10403	12844	15635	18813	22416	26482	
		30	6820	8727	10919	13433	16307	19578	23283	27460	
		25	7221	9174	11421	14000	16949	20304	24103	28384	
		65						7453	7444	7452	
		60					6657	6656	6661	6680	
		55				5934	5951	5961	5977	6007	
		50			5265	5308	5335	5355	5380	5420	
		45		4632	4711	4762	4798	4826	4859	4906	
YH200AI-100	Watt (W)	40	4016	4139	4225	4285	4327	4362	4401	4454	
		35	3575	3705	3798	3862	3910	3950	3994	4051	
		30	3184	3318	3415	3484	3535	3579	3626	3686	
		25	2828	2966	3066	3137	3190	3236	3284	3345	

Capacity @ Super Heat 11K, Subcooling 8.3K



# YH/YSH Series

# 50Hz

## Capacity

# R22

Model	CT (°C)	ET (°C)								
		-25	-20	-15	-10	-5	0	5	10	
YH230AI-100	Capacity (W)	65						15462	18715	22436
		60					13631	16624	20053	23960
		55				11846	14591	17739	21333	25417
		50			10126	12634	15513	18806	22557	26807
		45		8491	10773	13394	16398	19827	23724	28132
		40	6960	9028	11403	14128	17246	20801	24835	29392
		35	7417	9557	12015	14834	18058	21729	25891	30586
		30	7877	10079	12611	15515	18834	22612	26892	31717
	25	8340	10595	13191	16170	19576	23451	27839	32783	
	Watt (W)	65						8483	8474	8482
		60					7577	7577	7582	7604
		55				6755	6773	6786	6803	6838
		50			5993	6042	6072	6096	6124	6169
		45		5273	5362	5421	5461	5494	5531	5584
		40	4571	4712	4810	4877	4925	4965	5010	5070
		35	4070	4218	4323	4396	4450	4497	4546	4611
30		3624	3777	3887	3966	4024	4074	4127	4195	
25	3219	3376	3490	3571	3631	3683	3738	3808		
YH266AI-100	Capacity (W)	65						17805	21551	25835
		60					15696	19143	23091	27590
		55				13641	16802	20427	24566	29268
		50			11660	14548	17863	21656	25974	30869
		45		9778	12405	15424	18882	22831	27318	32395
		40	8015	10396	13130	16268	19859	23952	28598	33845
		35	8541	11005	13836	17082	20794	25021	29814	35220
		30	9071	11607	14522	17866	21688	26039	30967	36522
	25	9604	12201	15190	18620	22542	27004	32057	37751	
	Watt (W)	65						9768	9757	9767
		60					8726	8725	8730	8756
		55				7778	7800	7814	7834	7874
		50			6901	6958	6993	7020	7052	7104
		45		6071	6174	6242	6288	6326	6369	6431
		40	5263	5425	5538	5616	5671	5718	5769	5838
		35	4686	4857	4978	5063	5125	5178	5235	5310
30		4173	4350	4476	4567	4634	4691	4752	4831	
25	3707	3888	4018	4112	4182	4241	4305	4384		
YH307AI-100	Capacity (W)	65						20549	24873	29817
		60					18115	22094	26650	31843
		55				15743	19391	23575	28352	33779
		50			13457	16791	20617	24993	29978	35627
		45		11285	14318	17801	21793	26350	31529	37388
		40	9250	11998	15154	18776	22920	27644	33006	39061
		35	9858	12701	15968	19715	23999	28878	34409	40649
		30	10469	13396	16760	20619	25031	30052	35740	42151
	25	11084	14081	17531	21490	26016	31167	36999	43569	
	Watt (W)	65						11177	11164	11175
		60					9984	9983	9989	10019
		55				8900	8924	8940	8964	9009
		50			7897	7961	8001	8032	8069	8128
		45		6947	7065	7142	7195	7238	7287	7358
		40	6022	6208	6337	6426	6489	6542	6600	6680
		35	5362	5557	5695	5793	5864	5924	5990	6076
30		4775	4977	5122	5225	5302	5367	5438	5527	
25	4242	4448	4598	4705	4785	4853	4925	5017		

Capacity @ Super Heat 11K, Subcooling 8.3K

# YH/YSH Series

50Hz

## Capacity

R22

Model	CT (°C)	ET (°C)								
		-25	-20	-15	-10	-5	0	5	10	
YH355AI-100	Capacity (W)	65						23762	28761	34479
		60					20948	25548	30817	36821
		55				18204	22423	27261	32785	39060
		50			15562	19416	23840	28901	34665	41198
		45		13049	16556	20584	25200	30469	36458	43233
		40	10696	13874	17524	21711	26504	31966	38166	45169
		35	11399	14687	18465	22797	27751	33393	39789	47005
		30	12106	15490	19381	23843	28945	34751	41328	48742
	25	12817	16283	20272	24850	30084	36040	42783	50381	
	Watt (W)	65						12850	12836	12849
		60					11479	11478	11485	11519
		55				10232	10261	10279	10306	10358
		50			9079	9153	9199	9234	9277	9345
		45		7987	8123	8212	8272	8322	8379	8460
		40	6924	7137	7286	7388	7460	7522	7589	7680
		35	6165	6389	6548	6660	6742	6812	6887	6985
30		5490	5722	5889	6007	6096	6171	6252	6355	
25	4877	5115	5286	5409	5501	5580	5663	5768		
YSH400AIG-100	Capacity (W)	65						26439	32002	38364
		60					23308	28427	34290	40970
		55				20256	24950	30333	36479	43462
		50			17315	21603	26526	32158	38571	45840
		45		14519	18422	22904	28040	33903	40566	48105
		40	11902	15437	19498	24158	29490	35568	42467	50258
		35	12684	16342	20545	25366	30878	37156	44272	52301
		30	13470	17235	21564	26530	32206	38666	45984	54234
	25	14262	18118	22556	27650	33474	40101	47604	56058	
	Watt (W)	65						14719	14702	14717
		60					13148	13146	13155	13194
		55				11720	11752	11774	11804	11864
		50			10399	10484	10536	10577	10626	10704
		45		9148	9304	9406	9475	9532	9597	9690
		40	7931	8175	8345	8462	8545	8615	8692	8797
		35	7062	7318	7500	7628	7722	7802	7888	8001
30		6288	6554	6745	6881	6982	7069	7161	7279	
25	5586	5858	6055	6196	6301	6391	6486	6607		
YSH450AIG-100	Capacity (W)	65						29183	35324	42346
		60					25727	31378	37849	45223
		55				22358	27539	33481	40265	47973
		50			19112	23846	29280	35496	42574	50598
		45		16026	20334	25281	30950	37422	44777	53098
		40	13137	17040	21522	26665	32551	39260	46874	55475
		35	14000	18039	22678	27999	34083	41013	48868	57730
		30	14868	19024	23803	29284	35549	42680	50758	59863
	25	15742	19998	24897	30520	36948	44263	52545	61877	
	Watt (W)	65						16489	16471	16487
		60					14729	14728	14737	14781
		55				13130	13166	13190	13224	13291
		50			11650	11745	11804	11849	11904	11992
		45		10249	10423	10537	10615	10679	10751	10855
		40	8885	9158	9349	9480	9573	9651	9738	9855
		35	7911	8198	8403	8546	8651	8740	8837	8963
30		7044	7342	7556	7708	7822	7919	8022	8155	
25	6258	6563	6783	6941	7059	7160	7266	7401		

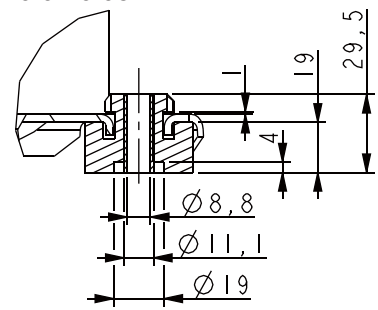
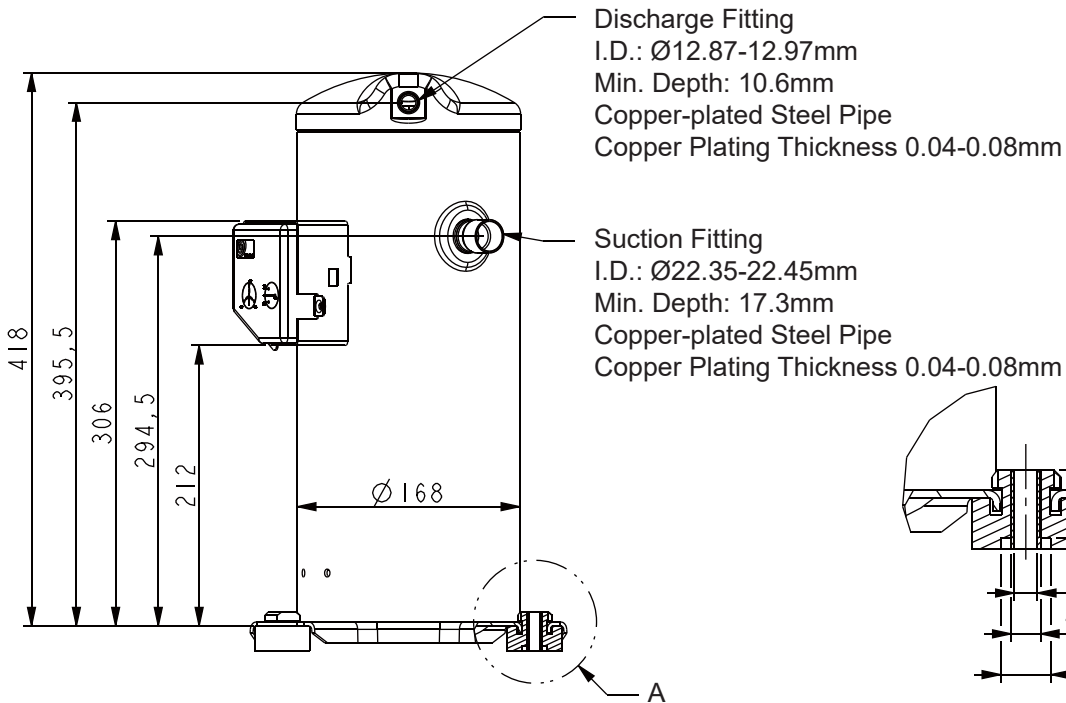
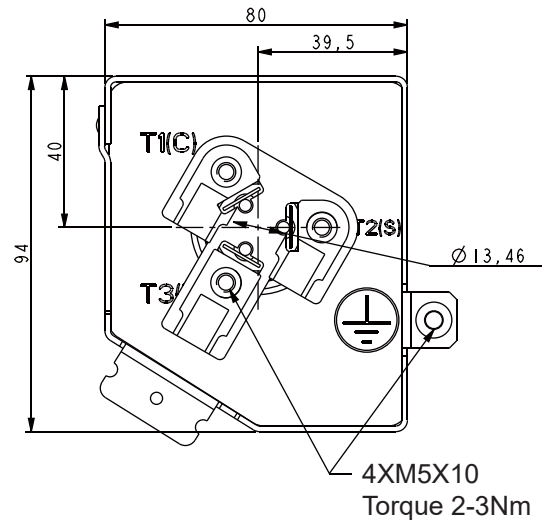
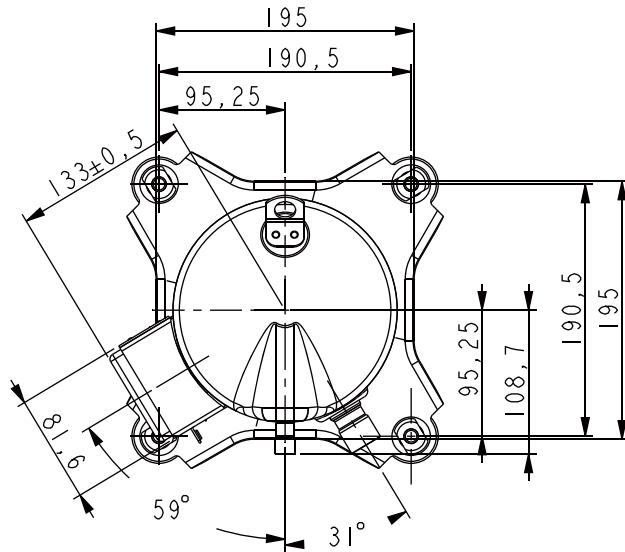
Capacity @ Super Heat 11K, Subcooling 8.3K



# YH/YSH Series

## Product Dimensions

2-5 HP

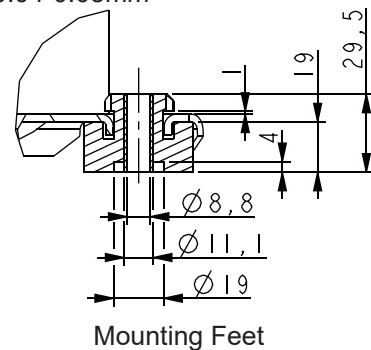
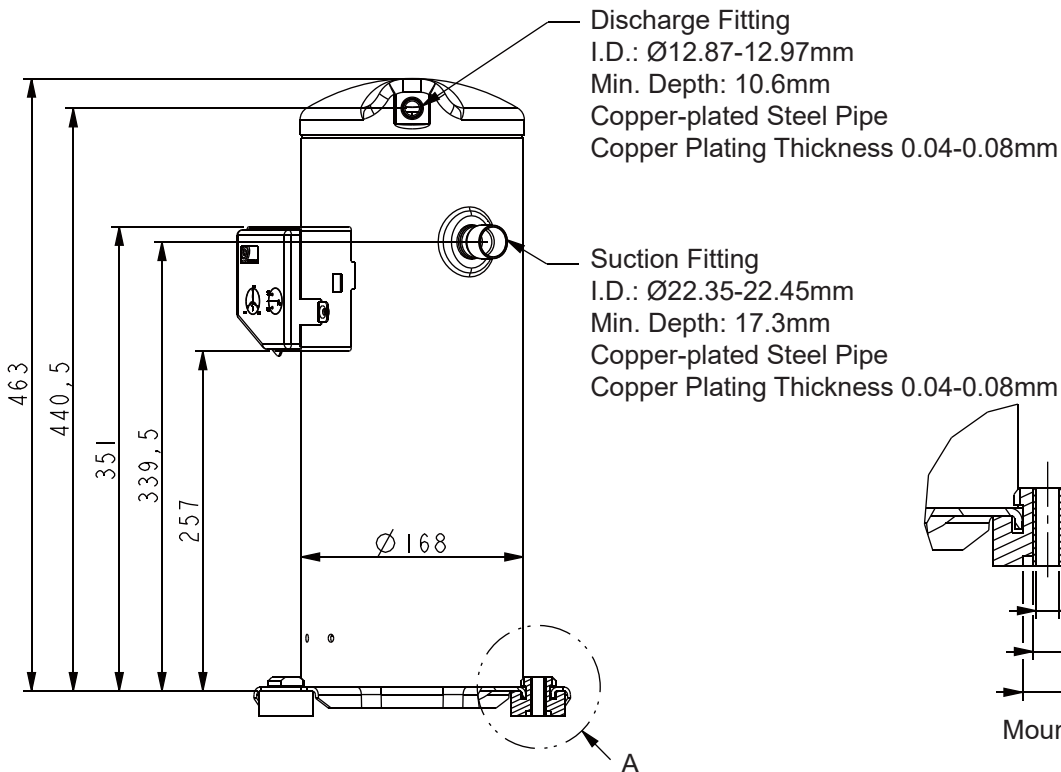
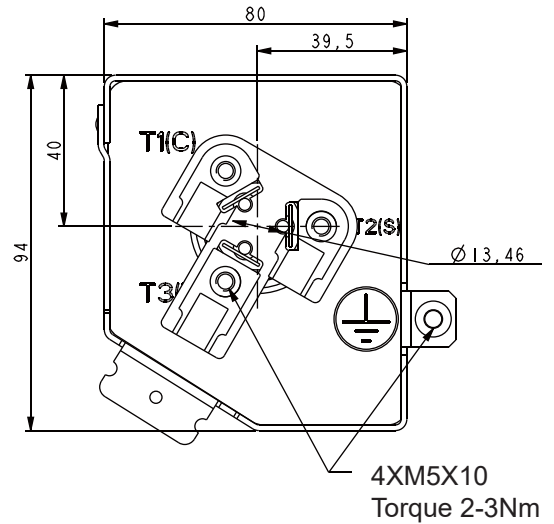
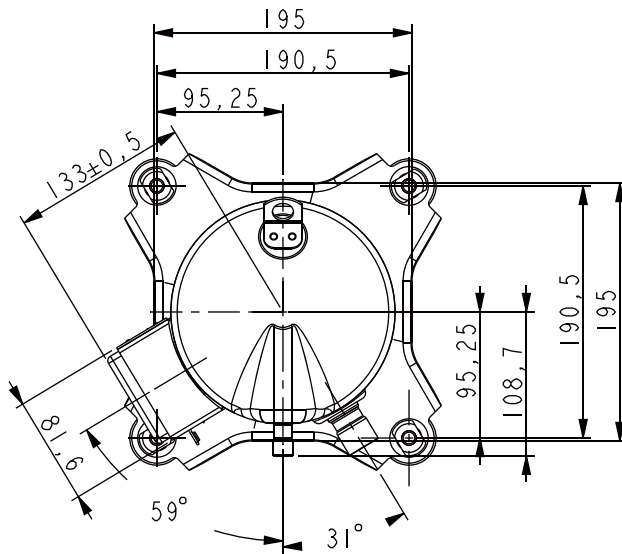


Mounting Feet

# YH/YSH Series

## Product Dimensions

6-7 HP

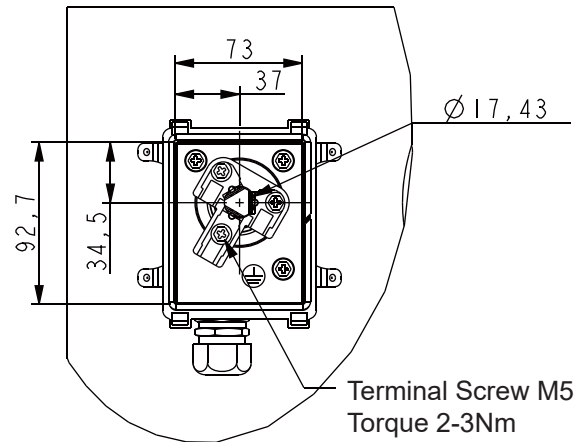
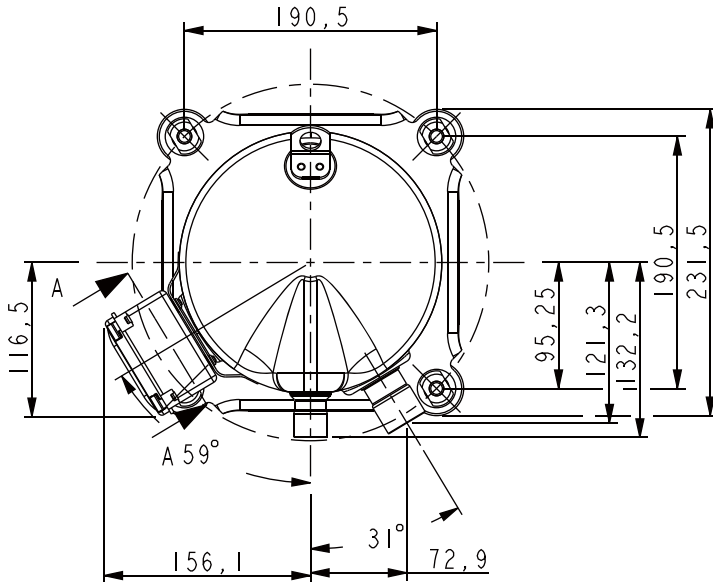


Mounting Feet

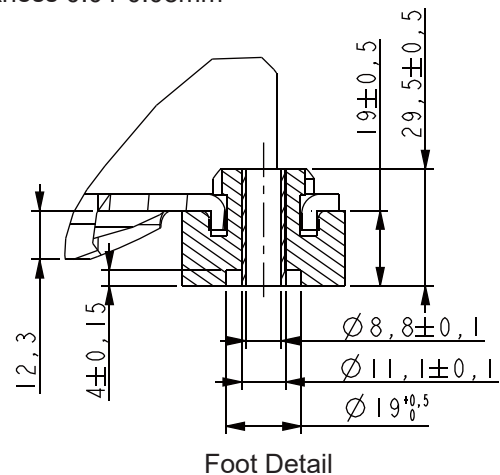
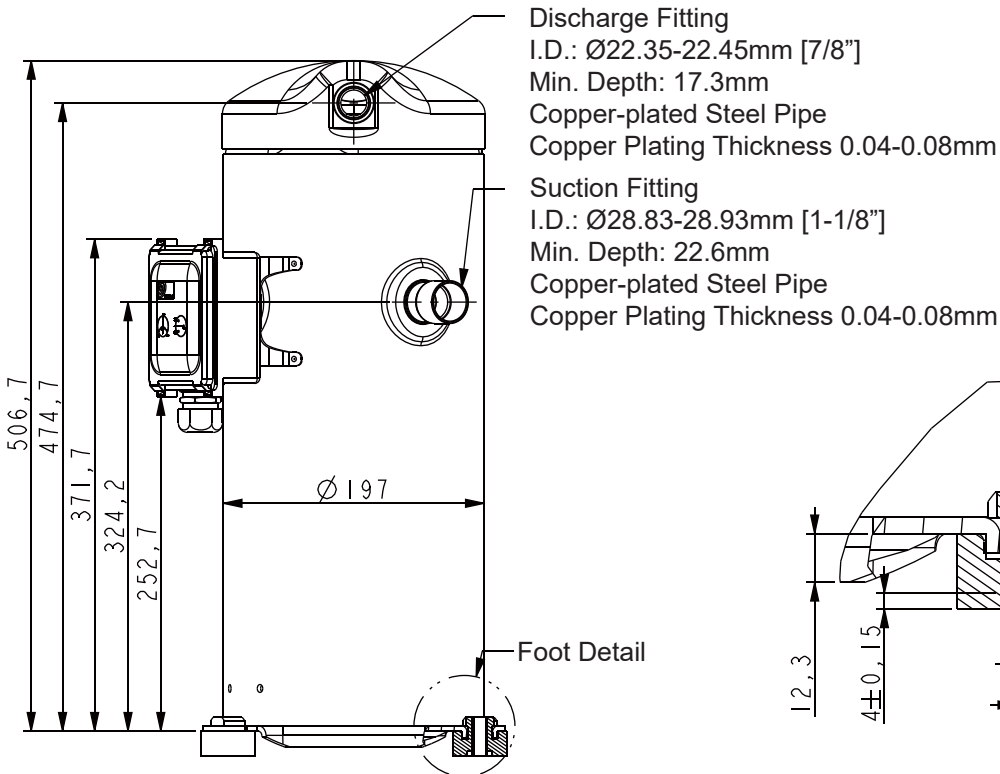
# YH/YSH Series

## Product Dimensions

8-12 HP



T-Box Layout  
View A-A



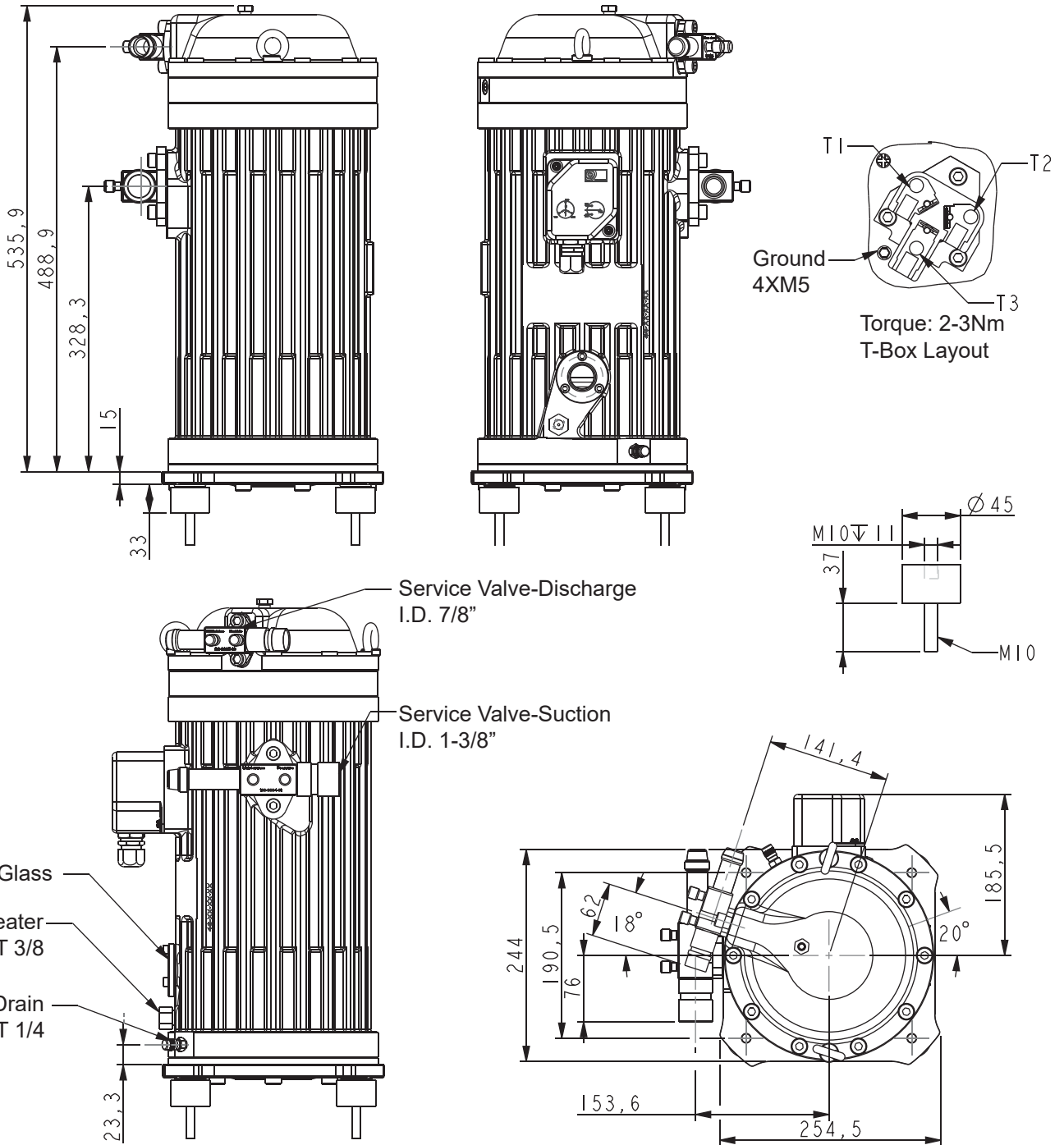
Foot Detail



# YH/YSH Series

## Product Dimensions

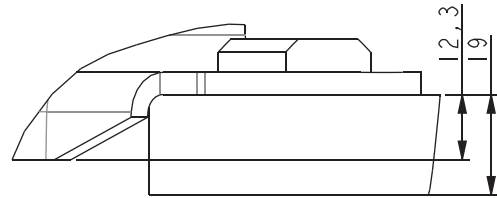
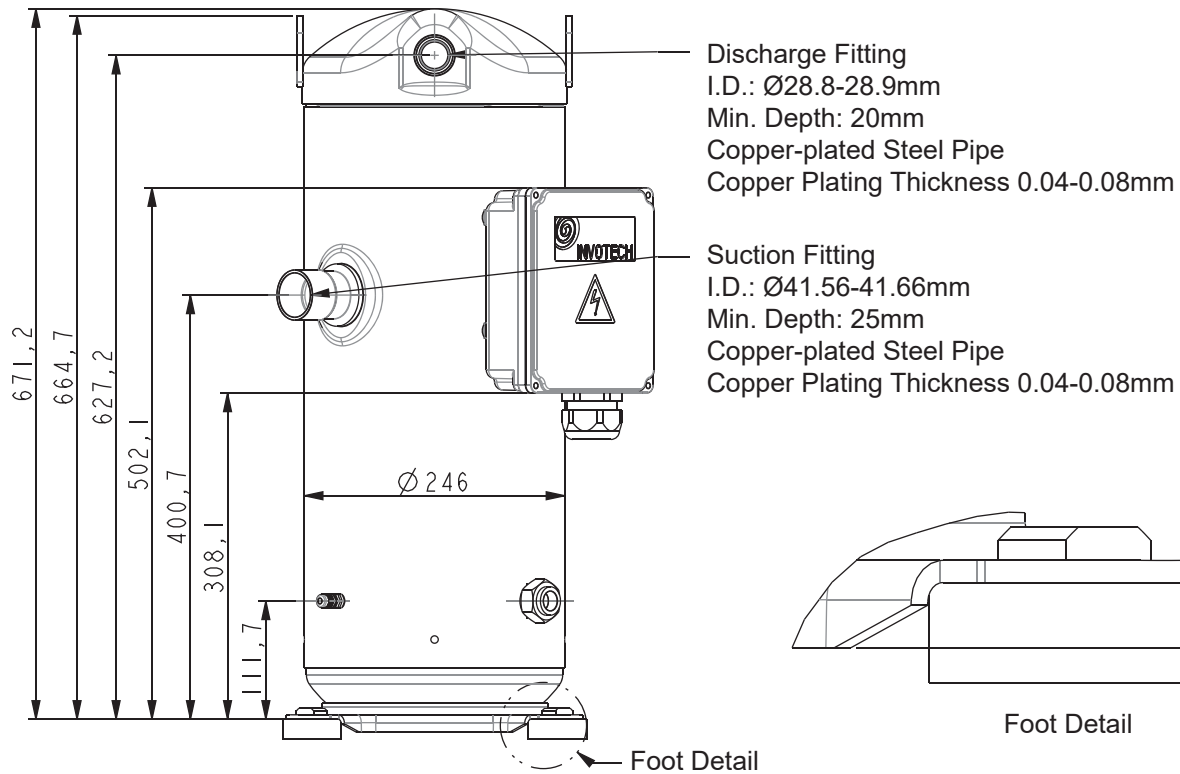
13/15 HP  
Semi-Hermetic



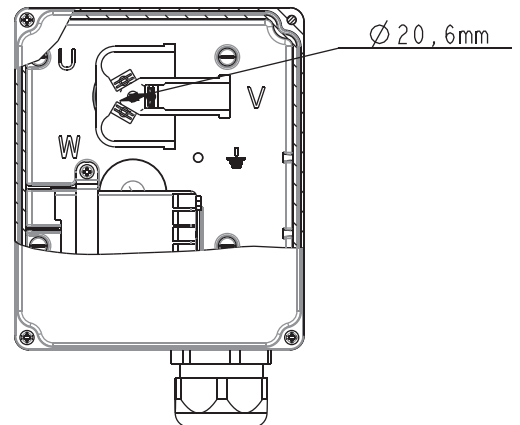
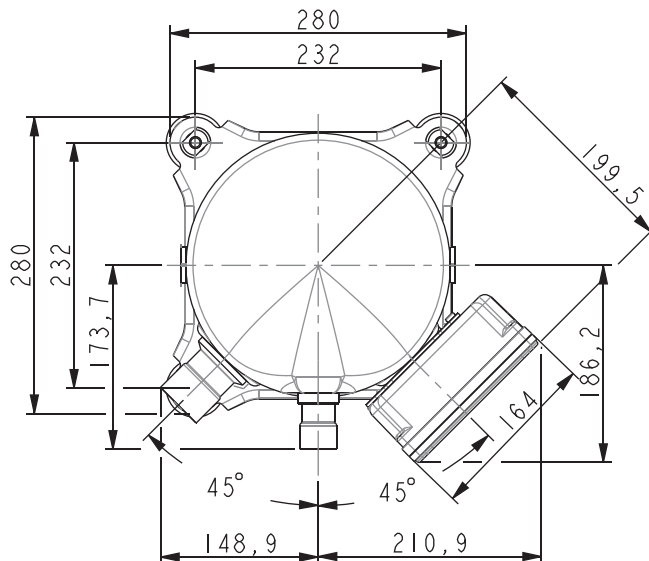
# YH/YSH Series

## Product Dimensions

20/25 HP



Foot Detail



T-Box Layout



**Suzhou Invotech Scroll Technologies Co., Ltd.**

No. 68, Dongnan Road, Changshu, Jiangsu, PRC.

Email: [scroll@invotech.cn](mailto:scroll@invotech.cn)

[www.invotech.cn](http://www.invotech.cn)